



Trimble LV59 Antenna

HIGH PRECISION ANTENNA FOR LAND APPLICATIONS

The Trimble LV59 GNSS antenna is designed for various ground based applications. It supports centimeter-level accuracy through superior phase center stability and signal filtering.

COMPREHENSIVE GNSS SUPPORT

The Trimble LV59 antenna offers full support for current and near-future GNSS signals including GPS, GLONASS, Galileo, BeiDou, QZSS, IRNSS, OmniSTAR, Trimble RTX and SBAS.

ROBUST, LOW-MULTIPATH GPS ANTENNA

The LV59 antenna offers robust signal tracking. Coupled with advanced signal filtering to minimize multipath, the LV59 antenna is capable of delivering a centimeter-level solution.

Key Features

- ▶ Comprehensive GNSS support including GPS modernization signals, GLONASS, BeiDou, Galileo, QZSS and IRNSS
- ▶ SBAS, L-Band support
- ▶ 5/8" x 11 Mounting



Trimble LV59 GNSS Antenna

TECHNICAL SPECIFICATIONS

- Comprehensive GNSS Tracking:
 - GPS: L1, L2, L5
 - GLONASS: L1, L2, L3
 - Galileo: E1, E5a, E5b
 - BeiDou: B1, B2
 - QZSS: L1, L2, L5
 - IRNSS: L5
 - SBAS: WAAS, EGNOS, GAGAN, and MSAS
 - MSS: OmniSTAR, Trimble RTX
- 5/8" x 11 UNC female threaded aluminum mounting point

ENVIRONMENTAL QUALIFICATIONS

Conditions	DO-160D Section	String Category	Description
Temperature Variation	5	A	-55 °C to +85 °C 10° /min, 2 cycles
Humidity	-	Method 5074	MIL-STD-810-F
Shock	-	Method 516.5	MIL-STD-818-F Procedure II
Vibration	-	516.5C.3	MIL-STD-810-F, Section 514.5 CVII

PHYSICAL AND ELECTRICAL SPECIFICATIONS

Dimensions14.60 cm diameter x 6.25 cm height
(5.75 in diameter x 2.46 in height)

Weight 0.48 Kg (1.06 lb)

Operating Temperature... -40 °C to +85 °C (-40 °F to +185 °F)

Altitude <16,764 m (55,000 ft)

Finish UV resistant white radome with aluminum base

ComplianceROHS

Signal gain39 dB

Voltage 4.2 V DC to 15 V DC

Polarization Right Hand Circular

Axial Ratio 3 dB Max @ boresight

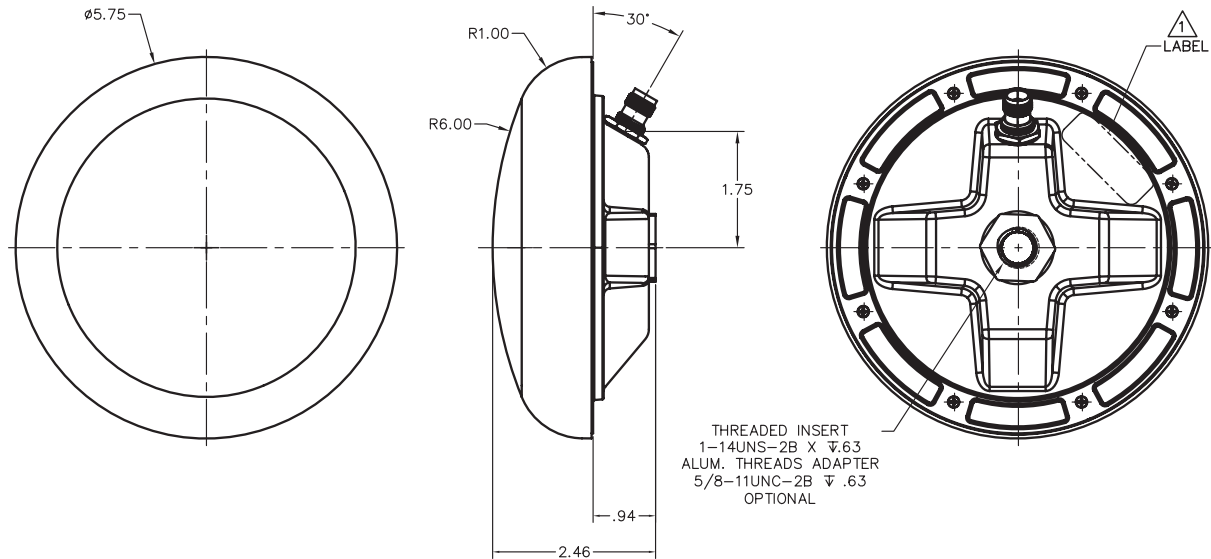
Amplifier Noise Figure 2.6 dBMax

Impedance50 Ohms
VSWR : ≤ 2.0:1

PART NUMBER

C03167 Trimble LV59 Antenna

Specifications subject to change without notice.



Contact your local dealer today

TRIMBLE
Integrated Technologies
510 DeGuigne Drive
Sunnyvale, CA 94085
Americas & Asia-Pacific
Europe/EMEA

Email: sales-intech@trimble.com

© 2019, Trimble Navigation Limited. All rights reserved. Trimble logo are trademarks of Trimble, registered in the United States and in other countries. All other trademarks are the property of their respective owners. (08/19)